

# EX-211

## Mini-Infrared No Touch Exit Button



### Compact Infrared Detection Solution for Auto-Control Access Systems

The EX-211 is a high-performance mini-infrared detector designed for access control systems. It offers automatic detection and door control functionality with adjustable proximity settings and waterproof construction, making it ideal for both indoor and outdoor applications.

#### Key Feature

Mini-Infrared Detection:	Provides automatic control for access systems with reliable infrared detection technology.
Waterproof Design:	Front panel has an IP65 rating and above, ensuring durability in all weather conditions.
Adjustable Proximity Range:	Detection range can be adjusted between 3-12 cm for optimal performance.
Customizable Door Opening Time:	Set the trigger state for 0.5-20 seconds or use toggle mode output for continuous control.
Interference Prevention:	Special signal design prevents interference from external light sources or other infrared signals.
Long Lifespan:	Infrared proximity sensor has a lifespan of 100,000 hours.

#### Automatic Door Control

Ideal for use in access control systems where proximity-based automatic door opening and closing is required.

#### High-Security Areas

Used in commercial buildings, offices, and industrial facilities to provide controlled access through infrared detection.

#### Outdoor Installations

Its waterproof IP65 rating makes it suitable for outdoor environments, such as building entrances, warehouses, and parking garages.

#### Public Spaces

Perfect for high-traffic areas such as airports, shopping malls, and hospitals where automatic access is necessary for convenience and security.

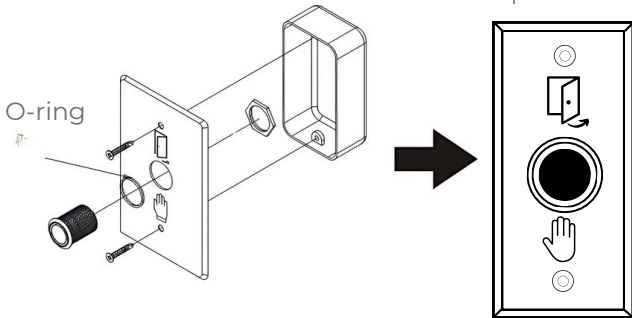
#### Residential Buildings

Used in smart home systems and apartment complexes to provide touchless, automatic entry control.

# Dimension

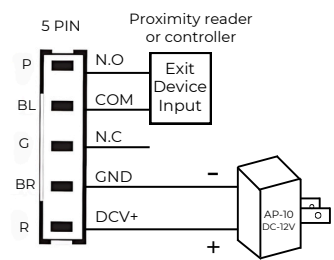


Its surface is completely waterproof

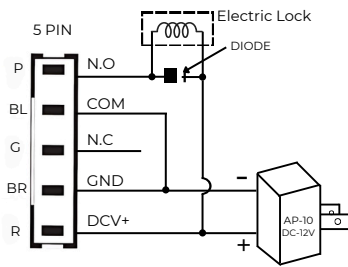


# Examples Of Wirings

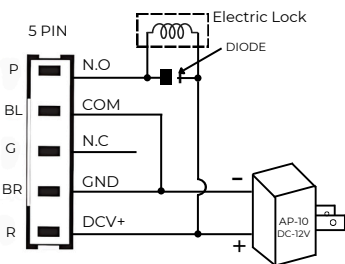
A. Controller door Opening



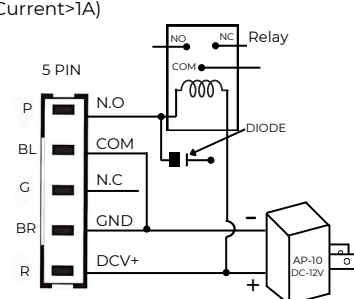
B. Fail Secure type electronic lock



C. Fail Safe type electronic lock



D. Connect Relay (power > DC30V or Current > 1A)



# Application:

- Hollow Door Frames: Perfect for installation on hollow door frames, ensuring seamless integration with access control systems.
- Electrical Box Installations: Compatible with electrical box use, making it suitable for a variety of environments.
- Global Use: Universal design for worldwide applications in residential, commercial, and industrial settings.

# Specification

Model Number:	EX-211
Dimensions:	115L x 39W x 4.5H (mm)
Voltage:	NO/NC/COM
Contact Rating:	1A @ 30VDC (N.O./N.C. Output)
Proximity Range:	3-12 cm (adjustable)
Door Opening Time:	0.5-20 seconds (trigger state) or toggle mode
Operating Temperature:	-10°C to +70°C
Humidity:	85%Rh maximum